

### 3 0 0 cc Engine

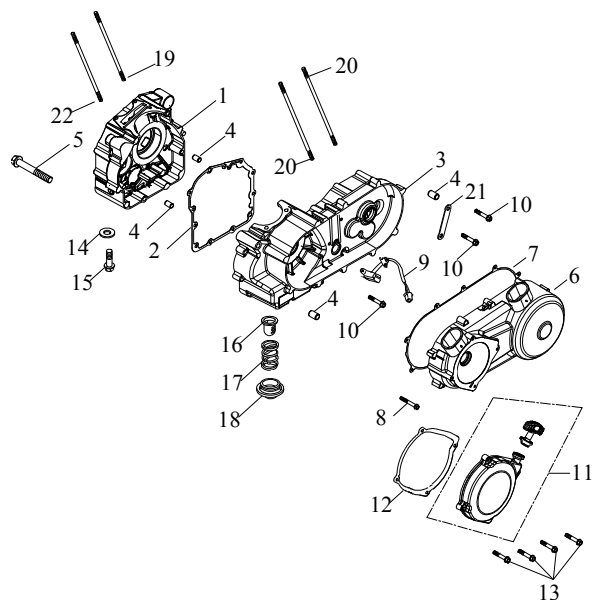
Update : 2/27/2009

Update:10/09/08

<a href="#">E-1</a>	CRANKCASE
<a href="#">E-2</a>	CYLINDER HEAD COVER, CYLINDER HEAD (Sport and Utility model for EEC Version)
<a href="#">E-2-1</a>	CYLINDER HEAD COVER, CYLINDER HEAD (Sport model for Off-Road Version)
<a href="#">E-3</a>	PISTON, CRANKSHAFT, CYLINDER
<a href="#">E-4</a>	R.CRANKCASE, WATER PUMP
<a href="#">E-5</a>	CVT
<a href="#">E-6</a>	GENERATOR, STARTER
<a href="#">E-7</a>	TRANSMISSION CASE
<a href="#">E-8</a>	CARBURETOR

\* different item from 250cc engine

E-I □□□□□

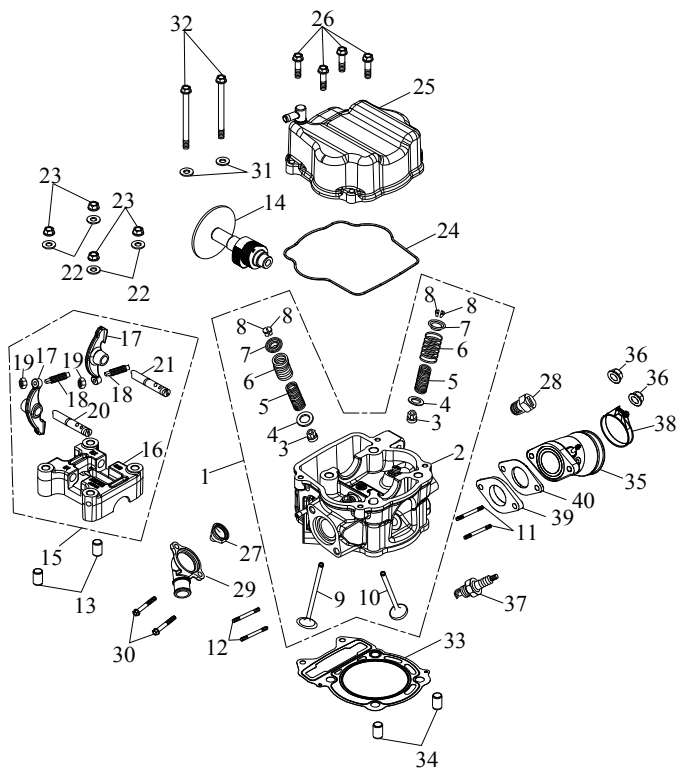


**E-1 左右曲軸箱**

Item	Part No.	Part Name	Spec	Q'ty	Msrp
1	11100-E10-100	Crankcase, R.		1	\$221.50
2	11349-E10-000	Gasket, Crank Case		1	\$14.78
3	11200-E10-100	Crankcase, L.		1	\$464.64
4	94001-100140	Pin, Dowel	10x14	4	\$1.60
5	P91700-06050-08G	Hex Washer Face Bolt	M6x50(墨綠)	4	\$0.06
6	11340-E10-101	Cover, L. Crankcase		1	\$168.00
7	11395-E10-000	Gasket, L. Crankcase		1	\$22.08
8	P91700-06040-08G	Hex Washer Face Bolt	M6x40(墨綠)	10	\$1.09
9	61210-E10-101	Switch, Gear Change		1	\$50.69
10	P91700-06010-08C	Hex. Washer Face Bolt	M6x10	3	\$0.64
11	11341-E10-000	Pull-Starter		1	\$94.72
12	11397-E10-000	Gasket, L. Crankcase		1	\$7.10
13	P91700-06025-08G	Hex. Washer Face Bolt	M6x25	4	\$0.77
14	P93105-12020-20	Washer, Plain (AL)	12.5*20*2.0t	1	\$1.54
15	91833-E10-001	Plug, Oil Pan Drain		1	\$10.11
16	15281-E10-000	Net, Oil Filter	網目:	1	\$7.49
17	15282-E10-000	Spring, Oil Filter Net		1	\$2.43
18	15280-E10-000	Nut, Oil Filter Net	M30*P1.5	1	\$10.24
19	* P91000-08220Z-7	Bolt, Stud		1	\$7.68
20	* P91000-08228Z-8	Bolt, Stud	M8x228/桿徑8	2	\$8.19
21	83128-A03-000	Fixing Bracket	鍍白鋅	1	\$3.01
22	* P91000-08220Z-8	Bolt, Stud	M8x220/桿徑8	1	\$8.00

BACK

E-2 □□□□□□□□

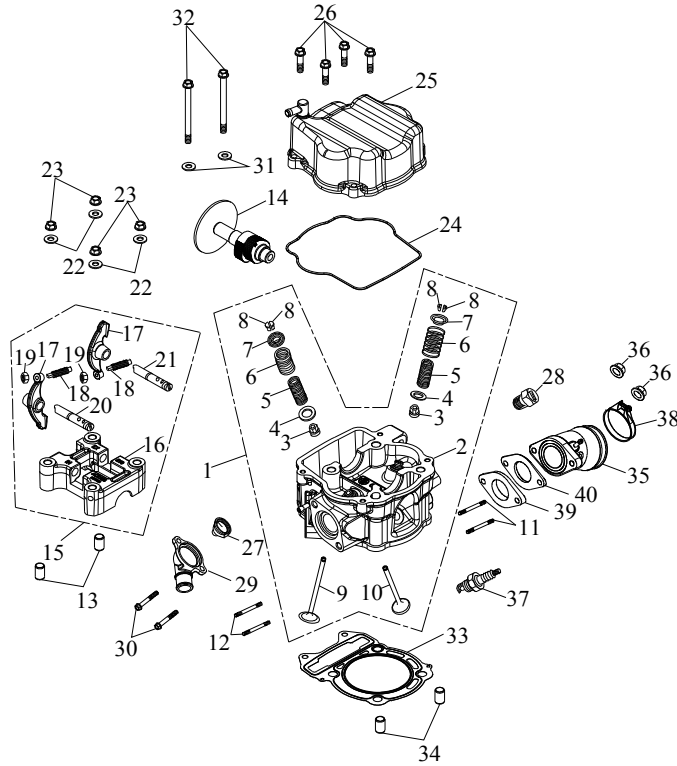


E-2 汽缸頭蓋.汽缸頭 (EEC Version)

[BACK](#)

Item	Part No.	Part Name	Spec	Q'ty	3D
1	* 12200-E11-A01	Cylinder Head, Ass'y		1	\$426.69
2	* 12201-E11-001	Cylinder Head		1	\$0.00
3	14730-E10-000	Seal, Valve		2	\$7.49
4	14776-E10-000	Support, Valve Spring		2	\$2.43
5	14736-E10-000	Spring, Valve Inner		2	\$4.48
6	14735-E10-000	Spring, Valve Outer		2	\$5.82
7	14771-E10-000	Holder, Valve Spring		2	\$4.80
8	14781-E10-000	Cotter, Valve		4	\$2.69
9	14720-E10-000	Valve, Intake		1	\$18.30
10	14721-E10-000	Valve, Exhaust		1	\$32.51
11	P91000-06039G	Bolt, Stud	M6x39(墨綠)	2	\$2.56
12	P91000-08032G	Bolt, Stud	M8x32(墨綠)	2	\$1.86
13	94001-100140	Pin, Dowel	10x14	2	\$1.60
14	* 25100-E11-000	Cam shaft comp	With TPI	1	\$180.67
15	25105-E11-A00	Cam Shaft Holder Ass'y		1	\$129.92
16	25105-E11-000	Cam Shaft Holder		1	\$48.00
17	25305-E10-000	Valve Rocker Arm		2	\$42.69
18	25306-E10-000	Adjust Screw		2	\$5.06
19	25307-E10-000	Adjust Screw		2	\$1.98
20	25310-E10-000	In. Rocker Arm Shaft Comp		1	\$10.88
21	25315-E10-000	Ex. Rocke Arm Shaft Comp		1	\$8.32
22	P93100-08216-02C	Washer, Plate	8.5x16x1.5	4	\$0.51
23	P92120-08-12C	Hex. Acorn Nut, Flange	M8xP1.25	4	\$0.51
24	12310-E10-000	Oil Ring, Head Cover		1	\$11.52
25	12210-E10-100	Head Cover, Cylinder		1	\$46.40
26	P91700-06025-08G	Hex. Washer Face Bolt	M6x25	4	\$0.77
27	15300-E10-000	Thermostat Ass'y	72+-3度	1	\$56.32
28	15240-E10-010	Sensor, Temperature	115+-3度	1	\$61.44
29	15305-E10-000	Hose, Connection		1	\$13.31
30	P91700-06016-08G	Hex. Washer Face Bolt	M6x16(墨綠)	2	\$0.70
31	P93102-65012-12	Washer, Plain (Copper)	6.5X12X1.2t	2	\$2.62
32	* P91700-06120-08G	Hex Washer Face Bolt	M6x120(墨綠)	2	\$2.94
33	* 12300-E11-000	Gasket, Cylinder Head	TU2620	1	\$44.03
34	94001-100140	Pin, Dowel	10x14	2	\$1.60
35	16410-E10-020	Manifold, Intake	加二次真空管	1	\$48.19
36	P92120-06-10C	Hex. Acorn Washer Face	M6xP1.0	2	\$0.32
37	98069-DPR7EA-9	Plug, Spark		1	\$22.46
38	97414-050090	Clip	ZHC-50	1	\$5.76
39	14712-E10-002	Spacer		1	\$9.79
40	14711-E10-000	Insulator Gasket		1	\$5.82

E-2 □□□□.□□□

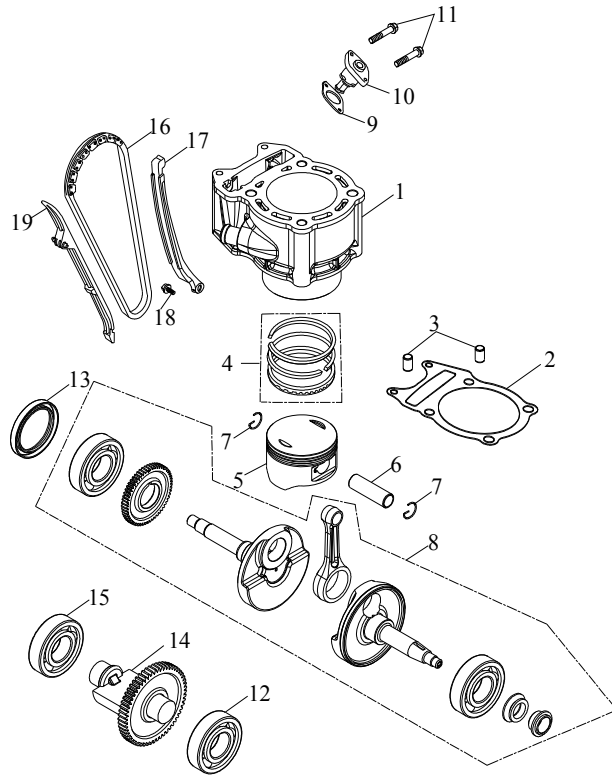


**E-2 CYLINDER, CYLINDER HEAD (Off-Road Version)**

[BACK](#)

Item	Part No.	Part Name	Spec	Q'ty	3D
1	<a href="#">12200-E11-A01</a>	Cylinder Head, Ass'y		1	\$426.69
2	<a href="#">12201-E11-001</a>	Cylinder Head	沒有閥門等細件	1	\$0.00
3	14730-E10-000	Seal, Valve		2	\$7.49
4	14776-E10-000	Support, Valve Spring		2	\$2.43
5	14736-E10-000	Spring, Valve Inner		2	\$4.48
6	14735-E10-000	Spring, Valve Outer		2	\$5.82
7	14771-E10-000	Holder, Valve Spring		2	\$4.80
8	14781-E10-000	Cotter, Valve		4	\$2.69
9	14720-E10-000	Valve, Intake		1	\$18.30
10	14721-E10-000	Valve, Exhaust		1	\$32.51
11	P91000-06039G	Bolt, Stud	M6x39(墨綠)	2	\$2.56
12	P91000-08032G	Bolt, Stud	M8x32(墨綠)	2	\$1.86
13	94001-100140	Pin, Dowel	10x14	2	\$1.60
14	25100-E11-000	Cam shaft comp	含TPI軸承	1	\$180.67
15	25105-E11-A00	Cam Shaft Holder Ass'y		1	\$129.92
16	25105-E11-000	Cam Shaft Holder		1	\$48.00
17	25305-E10-000	Valve Rocker Arm		2	\$42.69
18	25306-E10-000	Adjust Screw		2	\$5.06
19	25307-E10-000	Adjust Screw		2	\$1.98
20	25310-E10-000	In. Rocker Arm Shaft Comp		1	\$10.88
21	25315-E10-000	Ex. Rocke Arm Shaft Comp		1	\$8.32
22	P93100-08216-02C	Washer, Plate	8.5x16x1.5	4	\$0.51
23	P92120-08-12C	Hex. Acorn Nut, Flange	M8xP1.25	4	\$0.51
24	12310-E10-000	Oil Ring, Head Cover		1	\$11.52
25	<a href="#">12210-E10-100</a>	Head Cover, Cylinder		1	\$46.40
26	P91700-06025-08G	Hex. Washer Face Bolt	M6x25	4	\$0.77
27	15300-E10-000	Thermostat Ass'y	72+-3度	1	\$56.32
28	15240-E10-010	Sensor, Temperature	115+-3度	1	\$61.44
29	15305-E10-000	Hose, Connection		1	\$13.31
30	P91700-06016-08G	Hex. Washer Face Bolt	M6x16(墨綠)	2	\$0.70
31	P93102-65012-12	Washer, Plain (Copper)	6.5X12X1.2t	2	\$2.62
32	P91700-06120-08G	Hex Washer Face Bolt	M6x120(墨綠)	2	\$2.94
33	<a href="#">12300-E11-000</a>	Gasket, Cylinder Head	TU2620	1	\$44.03
34	94001-100140	Pin, Dowel	10x14	2	\$1.60
35	16410-E10-010	Manifold, Intake		1	\$47.42
36	P92120-06-10C	Hex. Acorn Washer Face	M6xP1.0	2	\$0.32
37	98069-DPR7EA-9	Plug, Spark		1	\$22.46
38	97414-050090	Clip	ZHC-50	1	\$5.76
39	<a href="#">14712-E10-002</a>	Spacer		1	\$9.79
40	<a href="#">14711-E10-000</a>	Insulator Gasket		1	\$5.82

E-3 □ □ □ □ □ □ □ □

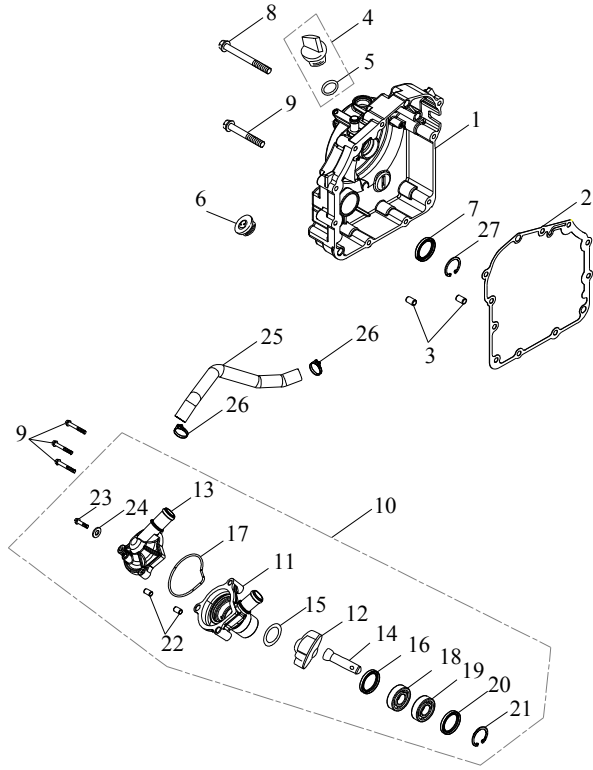


**E-3 汽缸.活塞.曲軸**

Item	Part No.	Part Name	Spec	Q'ty	#VALUE!
1	* 12100-E11-100	Cylinder	#74mm(鑄鐵/銀漆)	1	\$302.40
2	12191-E10-000	Gasket, Cylinder	CMP-4200(0.5mm)	1	\$6.53
3	94001-100140	Pin, Dowel	10x14	2	\$1.60
4	* 13310-E11-000	Rings, Piston (std.)	HM3A VKW STD	1	\$58.88
5	* 13300-E11-000	Piston(std.)	74mm	1	\$53.50
6	* 13400-E11-100	Pin, Piston		1	\$10.88
7	13410-E10-000	Clip, Piston Pin	1.2*20mm(80C)	2	\$3.20
8	* 13000-E11-A00	Crankshaft Ass'y		1	\$645.31
9	14553-E10-000	Tensioner Lifter Gasket	非石綿(上膠)	1	\$3.07
10	14550-E10-000	Adjuster, Chain	含彈簧/螺絲/O環	1	\$27.01
11	P91700-06016-08G	Hex.Washer Face Bolt	M6x16(墨綠)	2	\$0.70
12	95100-T6205	Bearing,Ball	6205	1	\$19.39
13	96100-274207	Seal, Oil	TC 27x42x7	1	\$14.40
14	* 22370-E11-000	Shaft, Balance	含平衡軸齒輪	1	\$147.84
15	* 95100-T6205	Bearing,Ball	6205	1	\$19.39
16	* 23318-E11-100	Chain, Cam	2x3(404)-100L	1	\$34.69
17	14500-E10-000	Cam Chan Tensioner	TN-0006-P02	1	\$52.74
18	14505-E10-000	Cam Chan Tensioner Pivot	M8*25(14)	1	\$6.27
19	* 14503-E11-000	Cam Chan Guide Comp	XT103	1	\$23.81

BACK

E-4 □□□□□□□□

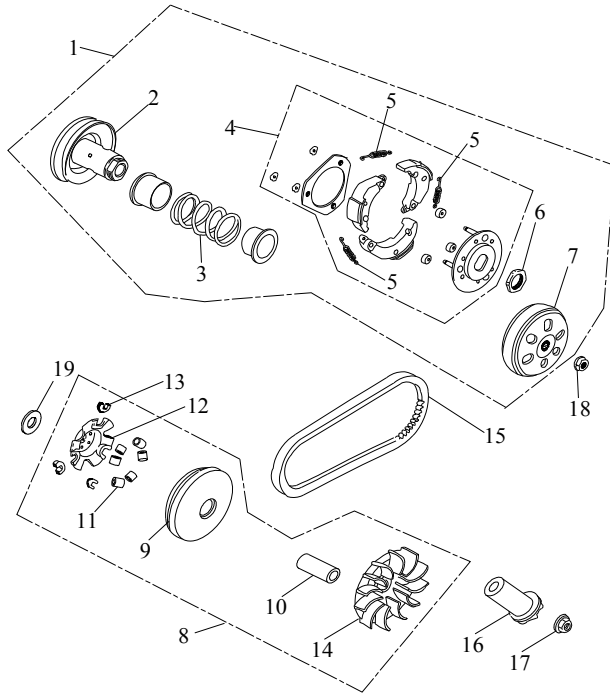


**E-4 右曲軸箱蓋.水泵**

Item	Part No.	Part Name	Spec	Q'ty	3D
1	11350-E10-100	Cover, R. Crankcase		1	\$166.14
2	11393-E10-000	Gasket, R. Crankcase	CMP-4200(0.5mm)	1	\$14.78
3	94001-100140	Pin, Dowel	10x14	2	\$1.60
4	15550-E10-000	Oil Level Gauge		1	\$8.00
5	96200-180030	O Ring	18.0x3.0	1	\$2.37
6	96100-GW162510	Oil Window	GW 16 25 10	1	\$5.63
7	96100-122807	Seal, Oil		1	\$10.75
8	P91700-06135-08G	Hex Washer Face Bolt	M6x135(墨綠)	7	\$3.20
9	P91700-06045-08G	Hex Washer Face Bolt	M6x45(墨綠)	8	\$1.34
10	15200-E10-000	Water Pump Ass'y		1	\$163.52
11	15212-E10-000	Body, Water Pump		1	\$38.91
12	15213-E10-000	Fan, Water Pump		1	\$10.88
13	15215-E10-000	Cap, Water Pump		1	\$23.30
14	15217-E10-000	Water Pump Shaft		1	\$34.11
15	96200-290020	Oil Ring	29x2.0	1	\$3.20
16	15220-E10-000	Mechanical Seal	EH790N-D08-5	1	\$31.49
17	15218-E10-000	Gasket, Water Pump		1	\$2.69
18	95100-T6901	Bearing, Ball		1	\$16.64
19	95100-T6000	Bearing, Ball	6000	1	\$11.39
20	96100-122207	Seal, Oil	12 22 7	1	\$3.84
21	93405-RTW26	Clip, Inner	RTW-26	1	\$1.47
22	94001-080120	Pin, Dowel	8*12	2	\$1.09
23	91700-06010-08B	Hex Washer Face Bolt	M6x10	1	\$0.64
24	P93102-65012-12	Washer, Plain (Copper)	6.5X12X1.2t	1	\$2.62
25	15233-A03-020	Hose C, Liquid(Pump-Cylinder)	(水泵-汽缸)	1	\$15.55
26	97411-230-12	Clip	孔徑23~28	2	\$3.71
27	93405-IRTW28	Clip, Inner	IRTW-28	1	\$1.47

BACK

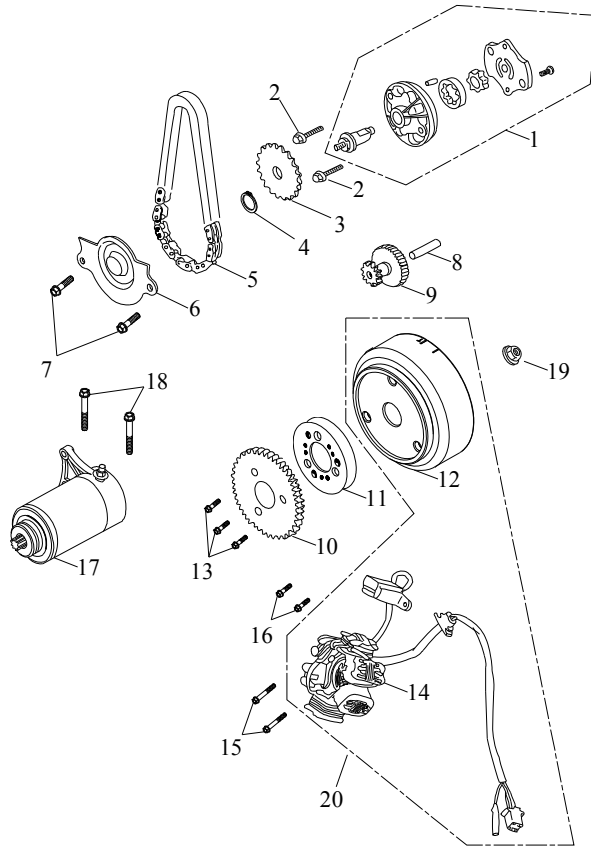
E-5 CVT



**E-5 CVT**

Item	Part No.	Part Name	Spec	Q'ty	3D
1	<a href="#">22300-E17-000</a>	Secondary Sheave Ass'y		1	Call
2	<a href="#">22310-E17-000</a>	Secondary Sheave Support		1	Call
3	<a href="#">22312-E17-000</a>	Spring, Compression		1	Call
4	<a href="#">22330-E17-000</a>	Carrier Ass'y, Clutch		1	Call
5	<a href="#">22331-E17-000</a>	Spring, Clutch		3	Call
6	<a href="#">22332-E17-000</a>	Nut, Clutch		1	Call
7	<a href="#">22340-E17-000</a>	Housing, Clutch		1	Call
8	<a href="#">22400-E10-200</a>	Sliding Sheave Ass'y		1	\$178.37
9	<a href="#">22410-E10-000</a>	Sliding Sheave		1	\$53.76
10	<a href="#">22414-E10-000</a>	Collar		1	\$26.62
11	<a href="#">22413-E10-000</a>	Weight Roller	23g	6	\$8.90
12	<a href="#">22411-E10-000</a>	Plate, Cam		1	\$21.06
13	<a href="#">22412-E10-000</a>	Slider, Cam Plate		3	\$4.29
14	<a href="#">22420-E10-000</a>	Movable Face Seal		1	\$39.81
15	<a href="#">22500-E10-120</a>	Belt, Drive	846x24.1x30	1	\$142.27
16	<a href="#">22422-E10-000</a>	Clutch, Oneway		1	\$35.84
17	<a href="#">92121-14-19C</a>	Hex. Acorn Nut, Flange	M14xP1.25(11厚)	1	\$7.04
18	<a href="#">92120-13-19C</a>	Nut, Hex. Flange	M13*P1.0(S45C)	1	\$6.14
19	<a href="#">P93107-20027-05</a>	Washer , Plate(SK5)	20*27*0.5	1	\$1.28

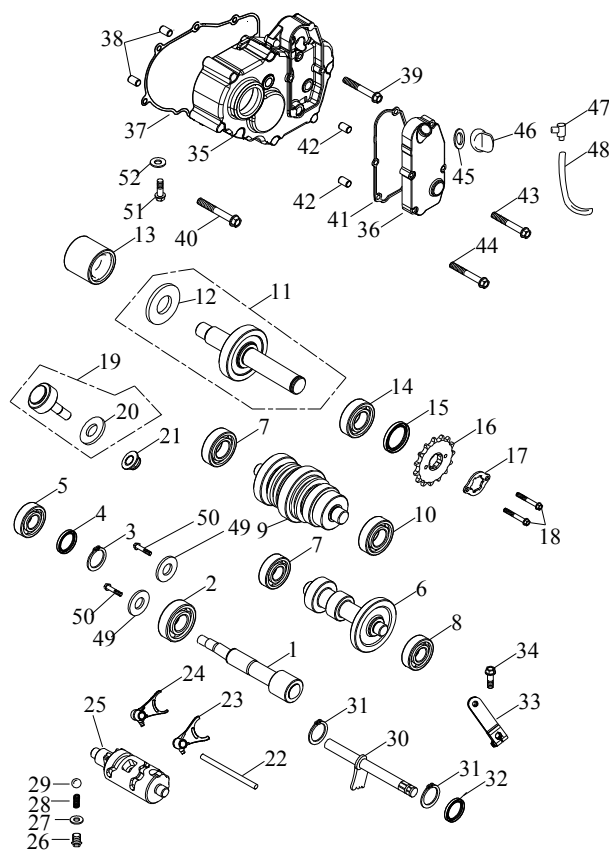
[BACK](#)



**E-6 起動馬達.發電機**

Item	Part No.	Part Name	Spec	Q'ty	3D
1	15100-E10-000	Pump, Oil	LBA7	1	\$45.06
2	P91700-06030-08G	Hex.Washer Face Bolt	M6x30	2	\$0.90
3	15110-E10-100	Drive,Gear, Oil-Pump	25T	1	\$13.06
4	93406-STW10	Cir Clip	STW-10	1	\$0.64
5	23319-E10-100	Chain, Cam	25H*48L	1	\$9.60
6	15150-E10-100	Plate, Oil Chamber		1	\$6.72
7	P91700-06010-08C	Hex.Washer Face Bolt	M6x10	2	\$0.64
8	11344-E10-000	Shaft	10x40	1	\$3.97
9	22120-E10-100	Gear ,Start	11T/54T	1	\$52.22
10	22110-E10-100	Wheel, Starter		1	\$66.56
11	22100-E10-101	Wheel, Starter		1	\$148.29
12	31100-E10-100	Wheel, Fly	V50	1	\$103.04
13	91760-08018M-06W	Hex. Socket Bolt	M8*P1.0*18L(SCM)	3	\$4.16
14	31120-E10-000	Stator (coil)		1	\$154.88
15	P91760-05025-04W	Hex. Socket Bolt	M5*P0.8*25L	3	\$1.28
16	P91760-05016-04W	Hex. Socket Bolt	M5*P0.8*16L	2	\$0.70
17	31200-E10-000	Motor, Starter		1	\$229.95
18	P91700-06020-08G	Hex.Washer Face Bolt	M6x20(墨綠)	2	\$0.83
19	92121-14-19C	Hex. Acorn Nut, Flange	M14xP1.25(11厚)	1	\$7.04
20	31000-E10-100	Base Ass'y, Generator		1	\$234.69

BACK



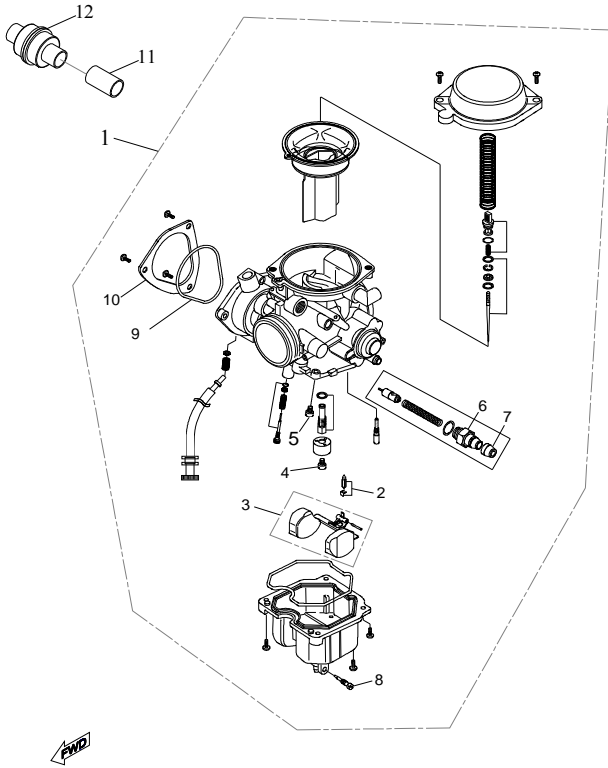
## E-7 齒輪箱

Item	Part No.	Part Name	Spec	Q'ty	3D
1	23610-E10-000	Drive Gear, Primary		1	\$73.22
2	95100-T62/22	Bearing, Ball	62/22	1	\$27.46
3	93406-STW22A	Cir Clip	STW-22	1	\$0.83
4	96100-223407	Seal, Oil	TC 22*34*7	1	\$4.29
5	95100-T6301LLU	Bearing,Ball	6301LLU	1	\$17.47
6	23620-E10-000	Main Axle		1	\$131.52
7	95100-T6203	Ball Bearing, Crankshaft	6203	2	\$12.22
8	95100-T6204C3	Ball Bearing, Crankshaft	6204C3	1	\$17.22
9	23640-E10-001	Gear Change Crank		1	\$370.05
10	95100-T6304	Bearing,Ball	6304	1	\$22.21
11	23650-E10-000	Final Shaft		1	\$97.79
12	P93107-20027-05	Washer , Plate(SK5)	20*27*0.5	1	\$1.28
13	95200-HK2020	Bearing, Needle	HK 2020	1	\$27.71
14	95100-T6205	Bearing,Ball	6205	1	\$19.39
15	96100-254707	Seal, Oil	TC 25 47 7	1	\$4.93
16	* 23810-E10-020	Sprocket, Drive	520-17T	1	\$56.06
S-4A	23810-E10-000	Sprocket, Drive	520-15T		\$34.11
U	23810-E10-010	Sprocket, Drive	520-14T		\$40.00
17	23900-E10-000	Safety Clip		1	\$3.52
18	91700-06012-10G	Hex Washer Face Bolt	M6x12	2	\$0.58
19	23621-E10-000	Shaft		1	\$61.44
20	93107-10218-10	Washer , Plate(SK5)	10.2*18*1.0	1	\$0.96
21	92130-10S-14G	Nut, Insert Lock	M10	1	\$2.69
22	41020-E10-000	Gear Shift Fork Guide Shaft		1	\$11.14
23	41000-E10-000	Shift ,Fork		1	\$44.16
24	41000-E10-010	Shift ,Fork		1	\$44.16
25	41030-E10-000	Gear Shift Drum		1	\$100.35
26	41051-E01-100	Bolt		1	\$6.34
27	41054-E01-100	Flat Washer Aluminium		1	\$1.15
28	41052-E01-100	Spring,Reverse Gear	O1.1x外0.8x10圓x	1	\$2.69
29	41053-E01-100	Shift Ball		1	\$1.02
30	41040-E10-100	Gear Shift Fork Guide Shaft		1	\$32.00
31	93406-STW14A	Cir Clip	STW-14	2	\$0.38
32	96100-14287	Seal, Oil	14*28*7	1	\$3.84
33	41072-E10-000	Bar, Gear Change		1	\$11.65
34	P91700-06028-10G	Hex.Washer Face Bolt	M6x28	1	\$0.83
35	11500-E10-100	Transmission Gear Case		1	\$122.69
36	11505-E10-100	Cover, Transmission Gear Case		1	\$31.23
37	11410-E10-000	Gasket, Transmission	CMP-4200	1	\$17.92
38	94001-100140	Pin, Dowel	10x14	2	\$1.60
39	P91760-08045-06G	Hex. Socket Bolt	M8*P1.25*45L	1	\$2.30
40	P91760-08073-06G	Hex. Socket Bolt	M8*P1.25*73L	7	\$3.58
41	11430-E10-000	Gasket ,Transmission Gear Case		1	\$6.34
42	94001-080140	Pin, Dowel	8*14	2	\$1.92
43	P91700-06020-08G	Hex.Washer Face Bolt	M6x20(墨綠)	4	\$0.83
44	P91700-06030-08G	Hex.Washer Face Bolt	M6x30	2	\$0.90
45	96200-138024	O-Ring	13.8*2.4	1	\$0.70
46	11212-E01-000	Plug, Oil		1	\$3.71
47	11210-E01-000	Breather		1	\$2.11

BACK

48	11211-A03-000	Hose,Breather	4.5*8*450	1	\$5.38
49	P93107-06519-20	Washer , Plate(SK5)	6.5*19*2.0	2	\$1.41
50	91700-06012-10G	Hex Washer Face Bolt	M6x12	2	\$0.58
51	91833-E10-001	Plug,Oil Pan Drain		1	\$10.11
52	P93105-12020-20	Washer, Plain (AL)	12.5*20*2.0t	1	\$1.54
53	96100-GW162510	Oil Window	GW 16 25 10	1	\$5.63

E-8 □□□



E-8 化油器

Item	Part No.	Part Name	Spec	Q'ty	3D
1	16100-E10-010	Carburetor Ass'y	Minuki/BSR33-78	1	Call
2	16113-E10-000	Needle Valve		1	\$30.00
3	16112-E10-000	Float		1	\$40.32
4	16101-E10-000	Main, Jet	#127.5	1	\$12.48
5	16102-E10-000	Slow Jet	#37.5	1	\$32.02
6	16118-E10-000	GUIDE HOLDER		1	\$5.04
7	16119-E10-000	CAP		1	\$3.22
8	16120-E10-000	SCREW		1	\$5.04
9	16121-E10-000	O-RING		1	\$20.78
10	16122-E10-000	COVER		1	\$18.72
11	16310-11035	Tube A, Fuel		1	\$1.34
12	16305-E10-000	Air Filter, Box		1	\$7.20

BACK